

# HZL1H Series Hazardous Location Light

HAZARDOUS LOCATION FIXTURES

**100-277V**

**LM79  
LM80**



**IP66**



## PROJECT INFORMATION

Project Name \_\_\_\_\_

Catalog No. \_\_\_\_\_ Date \_\_\_\_\_

## DESCRIPTION

The ActiveLED® HZL1H Series Hazardous Location Light punches out 7,200 photopic lumen (14,400 scotopic lumen) at a staggering 150 lumen per Watt while being half the size of its companion the HZL1.

The HZL1H is engineered for durability in demanding conditions where explosive vapors, gases, moisture, corrosion and vibration are prevalent and reliability is critical.

The HZL1H's T5 temperature rating ensures the highest performance in ambient conditions, while offering optimum visibility for process, testing and inspection areas.

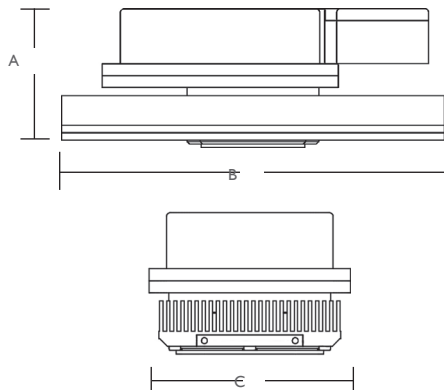
## APPLICATIONS

Oil and Gas Refineries, Oil Drilling Rigs and Platforms, Mines, Ships, Shipyards, Wastewater Treatment Plants and more.



HZL1H Series Hazardous Location Light

## DIMENSIONS

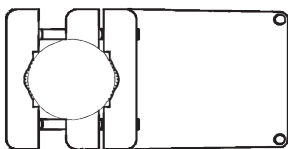


A	B	C
4.68"	12"	6.65"
11.88cm	30.48cm	16.89cm

## FEATURES

- North America - Class I, Division I Groups B, C and D - T5
- Canada - Class I, Division I, Groups C, D and - T5
- ThermalDRAW™ Cooling Technology - Patented cooling technology ensures LED components will equal or exceed warranty.
- LUM-INTENSE™ - LED lighting luminaire technology that combines recent advancements in LED Modules, Drivers and Optics to deliver more lumens per watt in a smaller package.
- Light Shaper options Type I, Type 3 and Type V (standard).
- Replaceable extreme environment glass or polycarbonate lens covers.
- Fully enclosed drivers with 48W (7200lm) and 24W (3600lm) power option..
- Comes standard with 3/4" NPT Fitting and various mounting options.
- Warranty - 10 Year Warranty on LED elements, fixture housing, and LED Driver. See page 2 for additional warranty information.

## MOUNTING OPTIONS



Clamp range 0.75" to 02.00" tube or pipe.  
Clamp attaches to each end of luminaire.

## OPTIONAL EXTREME ENVIRONMENT LENS



Part # 93-10023100



**ActiveLED®**  
Energy Efficient Lighting and Controls



LIGHT OUTPUT

**7,200** lm

WATTS

**48** W

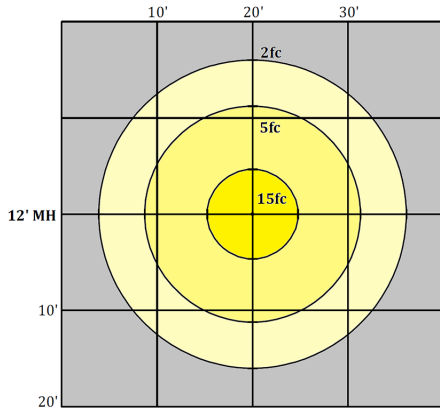
LUMENS per WATT

**150** lm/W

LIGHT COLOR (CCT)

**5,000**K

## PHOTOMETRICS



## PERFORMANCE DATA

AMBIENT TEMPERATURES	0 HOURS	45,000 HOURS	90,000 HOURS
77°F (25°C)	1.00	0.99	0.99
104°F (40°C)	1.00	0.98	0.96
131°F (55°C)	1.00	0.96	0.92
140°F (60°C)	1.00	0.95	0.90

Projected Lumen Maintenance (TM-21)

NOTE: Calculated using data collected according to LM-80 lumen maintenance on the LED package.

NOTE: Photometrics shown for HZL1HU-XW 45W only. Contact company for photometrics on other sizes.

## GENERAL SPECIFICATIONS

Input Voltage	Auto-Sensing 100-277 Volts AC, 50/60 Hz	LED Optics	IP66 rated, thermally bonded LEDs Patented thermal management mounting system
Input Power	48 / 24 Watt (R45 / R30)	CCT	Amber, Red, Green, 4000K, 5000K or 6000K
Power Factor	> 0.95 (at ~100-277 Volts)	Housing	Aluminum for enclosure and heat sinking parts, stainless hardware
THD	Total Harmonic Distortion (THD) <20% (typical 9%) at full load	Finish	Raw Aluminum
Driver	Integral driver with aluminum housing, integral heat sink and short circuit protection	Dimensions	4.68" Height, 6.65" Wide and 12" Length (11.88cm x 16.89cm x 30.48cm)
Operating Temperature	-58° F to 140° F (-50° C to 60° C)	Fixture Weight	17.5 lbs, 7.938Kg
Lumen Lifetime	L90/90K Hrs @ 60° C (90,000 Hrs with 90% Luminous Flux)		

## WARRANTY

Ten (10) Year Warranty - LEDs, Fixture and Driver shall conform to its published specifications under normal usage and operating conditions including "no light loss" of more than 10% at the end of the period. LEDs will produce at least 90% of their initial light output with no color shift after 90,000 hours of operation.

## LISTINGS AND TESTS

UL844, Class I Division 1, ULI598, ULI598A, UL listed driver, CE, suitable for wet locations. RoHS compliant. IP66 Rated. LM-79 and LM-80 info available. Conforms to FCC Part 15.19 Subpart B Class A. Made in USA - ARRA Compliant.

## ORDERING INFORMATION

Example: HZL1HU-B-WT50R45RAE

HZL1H				T				
Unit	Driver	Mount	Pattern	Diffuser	CCT	Watt	Color	Options
<b>HZL1H</b> Hazard Light Half-Size	<b>U</b> Universal Driver 100-277 VAC, 50/60 Hz	<b>B</b> Bolt, Trunction Mount <b>S0</b> Stanchion Straight(0°) <b>S25</b> Stanchion Angled(25°)	<b>W</b> Type V <b>T1</b> Type I <b>T3</b> TYPE III	<b>T</b> Tempered Glass	<b>60</b> 6,000K <b>50</b> 5,000K <b>40</b> 4,000K	<b>R45</b> 48W 7,200lm <b>R30</b> 24W 3,600lm	<b>RA</b> Raw Aluminum <b>WH</b> White	<b>P</b> Polycarbonate Lens <b>E</b> Extreme Environment Glass Lens <b>T1</b> Type I Shaper <b>T3</b> Type III Shaper
	<b>L</b> 12 VAC Low Voltage Driver	<b>W3</b> Wall Mount (3/4") <b>W4</b> Wall Mount (1") <b>M</b> Magnet Mount			<b>Amber</b> <b>Red</b> <b>Green</b>			

### Note:

Stanchion mounts S0 and S25 assume 1-1/2" NPT pipe thread to be mounted to.  
Wall Mount W3 has 3/4" NPT pipe thread in and out.  
Wall Mount W4 has 1" NPT pipe thread in and out.